

TOGGLE SWITCHES • UTILITY & HEAVY DUTY

.50" MOUNTING HOLE DIAMETER

POLES & THROWS	CIRCUIT FUNCTIONS	NOMINAL RATING			ACTUATOR STYLE	ACTUATOR MATERIAL	LIGHTED TOGGLE/TOGGLE COLOR	TERMINATION TYPE	CATALOG NUMBER	FIG. NO.
		AMPS VAC	AMPS VAC	H.P. VAC						
		125	250	125-250						

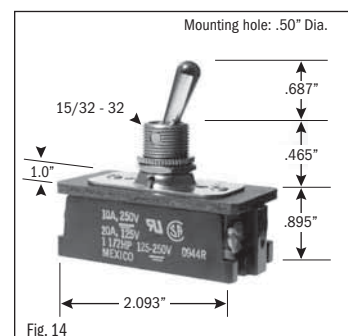
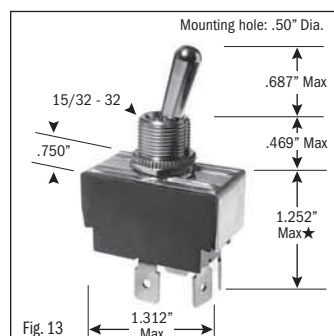
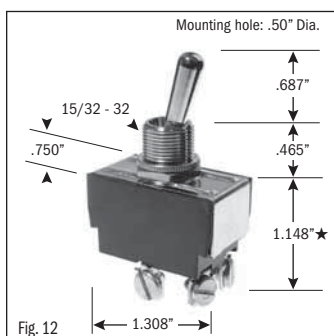
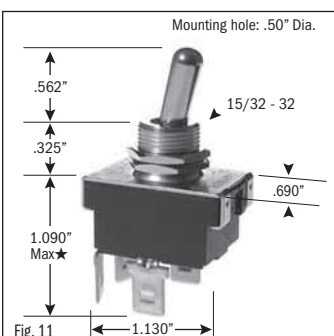
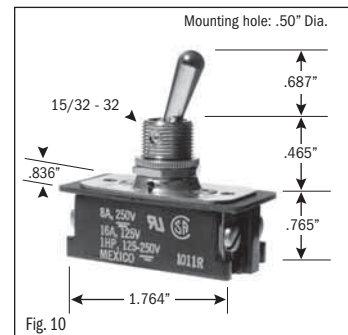
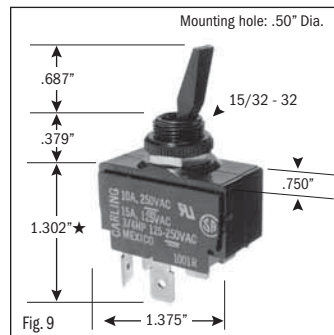
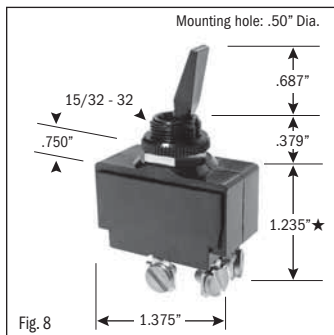
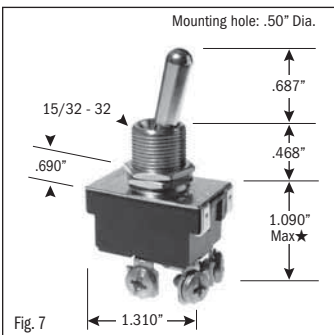
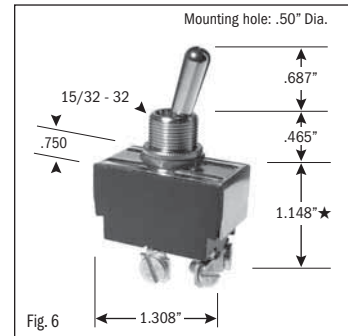
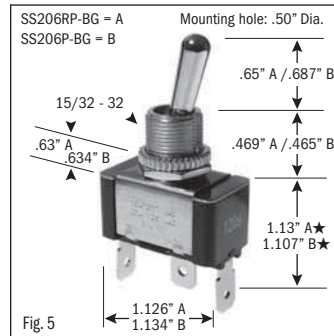
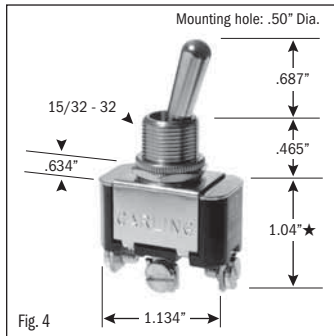
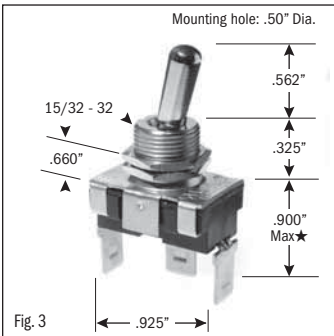
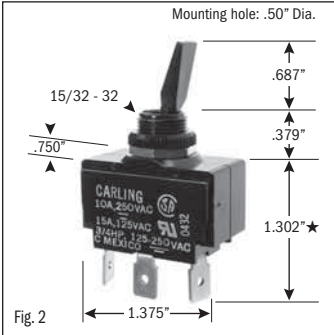
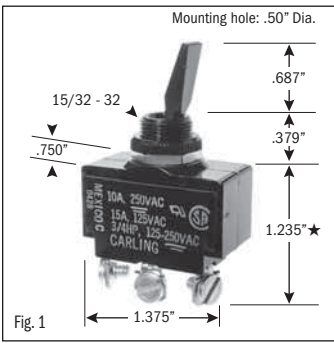
MAINTAINED CONTACT

SPDT	ON-ON	15	10	3/4	FLAT	NYLON	NO/BLACK	SCREW	SS509-BG	1
SPDT	ON-ON	15	10	3/4	FLAT	NYLON	NO/BLACK	.250" SPADE	SS502-BG	2
SPDT	ON-ON	20	10	3/4	BAT	BRASS/NICKEL	NO/NICKEL	.250" SPADE	SS114-BG ¹	3
SPDT	ON-ON	20	10	3/4	BAT	BRASS/NICKEL	NO/NICKEL	SCREW	SS206R-BG	4
SPDT	ON-ON	20	10 Δ	3/4	BAT	BRASS/NICKEL	NO/NICKEL	.250" SPADE	SS206RP-BG	5
SPDT	ON-OFF-ON	15	10	3/4	FLAT	NYLON	NO/BLACK	.250" SPADE	SS503-BG	2
SPDT	ON-OFF-ON	20	10	3/4	BAT	BRASS/NICKEL	NO/NICKEL	.250" SPADE	SS115-BG ¹	3
SPDT	ON-OFF-ON	20	10	3/4	BAT	BRASS/NICKEL	NO/NICKEL	.250" SPADE	SS206P-BG	5
SPDT	ON-OFF-ON	20	10	3/4	BAT	BRASS/NICKEL	NO/NICKEL	SCREW	SS206-15-BG	4
2 CIRCUITS	1 & 2 ON-1 ON-OFF	15	10	1/2 @ 250	BAT	BRASS/NICKEL	NO/NICKEL	SCREW	SS230-BG	6
DPST	ON-OFF	6	3		BAT	BRASS/NICKEL	NO/NICKEL	SCREW	SS267S-BG	7
DPST	ON-OFF	15	10	3/4	FLAT	NYLON	NO/BLACK	SCREW	SS510-BG	8
DPST	ON-OFF	15	10	3/4	FLAT	NYLON	NO/BLACK	.250" SPADE	SS505-BG	9
DPST	ON-OFF	16*	8*	1*	BAT	BRASS/NICKEL	NO/NICKEL	SCREW	SS210-9-BG	10
DPST	ON-OFF	20	10	3/4	BAT	BRASS/NICKEL	NO/NICKEL	.250" SPADE	SS116-BG ¹	11
DPST	ON-OFF	20			BAT	BRASS/NICKEL	NO/NICKEL	SCREW	SS207-7A-BG	12
DPST	ON-OFF	20			BAT	BRASS/NICKEL	NO/NICKEL	.250" SPADE	SS207P-BG	13
DPST	ON-OFF	20			BAT	BRASS/NICKEL	NO/NICKEL	.250" SPADE	SS203P-BG ¹	13
DPST	ON-OFF	20*	10*	1 1/2*	BAT	BRASS/NICKEL	NO/NICKEL	SCREW	SS211-16A-BG	14

Δ Rated 10 Amps 277 VAC *Stated Amperage and voltage also valid for D.C. Rating

¹Separate Female Quick Connect Solderless Insulated Terminals, ST-16, provided with switch when ordered with suffix "BG"

continued on page 3



★ Switch height measurement in Figures above, includes body and terminals combined



All specifications and dimensions are for reference only. If specific information is needed and/or of critical nature, contact Selecta Products headquarters for specific information before ordering.