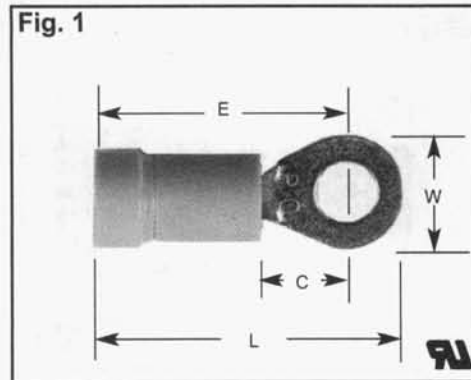


Ring Tongue Solderless



Wire Size/ CMA	Color Code	Insulation Dia. Inches	Basic Terminal Dimensions			Vinyl Insulated Butted Seam Funnel Barrel			Part Number*	Pcs/ Bag**	Fig. No.
			Barrel Inside Dia.	Stud Size	W Inches	C Inches	L Inches	E Inches			
12-10 AWG 5180-13,100	Yellow	.265	.131" 3,33	10	0.38	0.28	1.00	0.80	ST-12A	75	1
12-10 AWG 5180-13,100	Yellow	.265	.131" 3,33	1/4	0.61	0.44	1.28	0.94	ST-9	60	1
12-10 AWG 5180-13,100	Yellow	.265	.131" 3,33	5/16	0.61	0.44	1.28	0.94	ST-43	60	1
12-10 AWG 5180-13,100	Yellow	.265	.131" 3,33	3/8	0.61	0.44	1.28	0.94	ST-13A	60	1
16-14 AWG 2050-5180	Blue	.198	.085" 2,16	6	0.31	0.28	0.96	0.83	ST-5	100	1
16-14 AWG 2050-5180	Blue	.198	.085" 2,16	8	0.31	0.28	0.99	0.83	ST-44	100	1
16-14 AWG 2050-5180	Blue	.198	.085" 2,16	10	0.31	0.28	0.99	0.83	ST-8	100	1
16-14 AWG 2050-5180	Blue	.198	.085" 2,16	1/4	0.46	0.44	1.21	0.98	ST-45	75	1
16-14 AWG 2050-5180	Blue	.198	.085" 2,16	5/16	0.46	0.44	1.13	0.90	ST-46	75	1
16-14 AWG 2050-5180	Blue	.198	.085" 2,16	3/8	0.53	0.44	1.25	0.98	ST-10	75	1
22-18 509-3260	Red	.160	.061" 1,55	6	0.31	0.28	0.91	0.77	ST-6A	100	1
22-18 509-3260	Red	.160	.061" 1,55	8	0.31	0.28	0.91	0.77	ST-53	100	1
22-18 509-3260	Red	.160	.061" 1,55	10	0.31	0.28	0.91	0.77	ST-7A	100	1

* Also available in Nylon Insulated & Non-Insulated Brazed Seam. Please contact Sales Department for more information.
 ** Solderless Terminals are available in both Poly Zip-Lock Bag packaging and Bulk packaging. The "Piece per Bag" column refers to the Poly Zip-Lock Bag packaging while the bulk packaging has a 1,000 Pc. minimum multiples. Please indicate package preference by adding a "-BG" suffix for the bag or a "-BK" suffix for bulk.