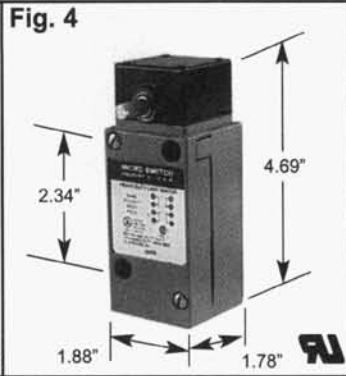
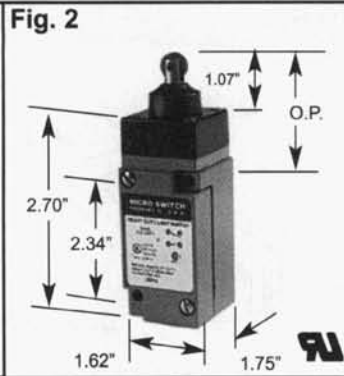
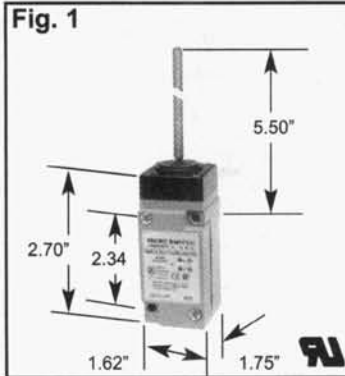


HDLS Heavy Duty Switches*



Actuator Style	Circuitry/Action	Ratings	Body Style*	P.T. Max.	D.T. Max.	O.T. Min.	O.F. Max.	O.P. Inches	Operating Temp. Range	Part Number	Fig. No.
Coil Spring	SPDT	10 Amps ¹	Plug-in 1/2" Conduit	2	---	---	7	---	10°F to 200°F -12°C to 93°C	LSK1A-8C	1
Roller Plunger	SPDT Double Break Momentary	10 Amps ¹	Plug-in 1/2" Conduit	.070	.015	.190	4	2.200.040	10°F to 200°F -12°C to 93°C	LSD1A	2
Roller Plunger	SPDT Double Break Momentary	10 Amps ¹	Non Plug-in 1/2" Conduit	.070	.015	.190	4	2.200.040	10°F to 200°F -12°C to 93°C	LSD3K	2
Rotary	SPDT Double Break Momentary	10 Amps ¹	Plug-in 1/2" Conduit	15°	5°	60°	4 in. lbs	---	10°F to 250°F -12°C to 121°C	LSA1A	3
Rotary	SPDT Double Break Momentary	10 Amps ¹	Non Plug-in	15°	5°	60°	4 in. lbs.	---	10°F to 250°F	LSA3K	3
Rotary	DPDT Double Break Momentary	10 Amps ²	Plug-in 1/2" Conduit	15°	7°	60°	4 in. lbs.	---	10°F to 250°F -12°C to 121°C	LSA6B	4
Rotary	DPDT Double Break Momentary	10 Amps ²	Plug-in 1/2" Conduit	18°	10°	57°	4 in. lbs.	---	30°F to 250°F -1°C to 121°C	LSM6D	4
Rotary	DPDT Double Break Momentary	10 Amps ²	Plug-in 3/4" Conduit	15°	7°	60°	4 in. lbs.	---	10°F to 250°F -12°C to 121°C	LSA2B	4

AC Volts Pilot Duty: 600 VAC, 720 VAC 10 Amps continuous carry				DC Volts Pilot Duty 240 VDC, 30 Watts		
Rating Code	VAC	Amp at 0.35 Power Factor		VDC	Make and Break Amps	
		Make	Break		Inductive	Resistive
1	120	60	6	120	0.25	0.8
	240	30	3	240	0.15	0.4
	480	15	1.5			
	600	12	1.2			
2	120	30	3	120	0.25	0.8
	240	15	1.5	240	0.15	0.4
	480	7.5	0.75			
	600	6	0.60			

CHARACTERISTICS:

O.F. - Operating Force; R.F. - Release Force; P.T. - Pretravel; O.T. - Overtravel; D.T. - Differential Travel; O.P. - Operating Position.

* Plug-in listings include base receptacle.

** 4X Stainless Steel version only.

*** 6P prewired versions only.

◆ Meets NEMA 1, 3, 4, 4X*, 6, 6P*** and 13.

Mounting Hole Dimension:

